

Mecalac

**COMPACTION
ROLLERS**



Mecalac



TOUGH EXTERIOR, INTERNAL INNOVATION

With more than 60 years' experience in both design and production, we continue to innovate, boasting a comprehensive portfolio of state-of-the-art equipment specifically developed to revolutionise operations for construction professionals worldwide – saving time, money and labour.

Built with innovation in mind, Mecalac compaction rollers are designed to withstand the most demanding tasks. Easy to use controls, intuitive layout and with vibration reduction technology enhances operator comfort and productivity.

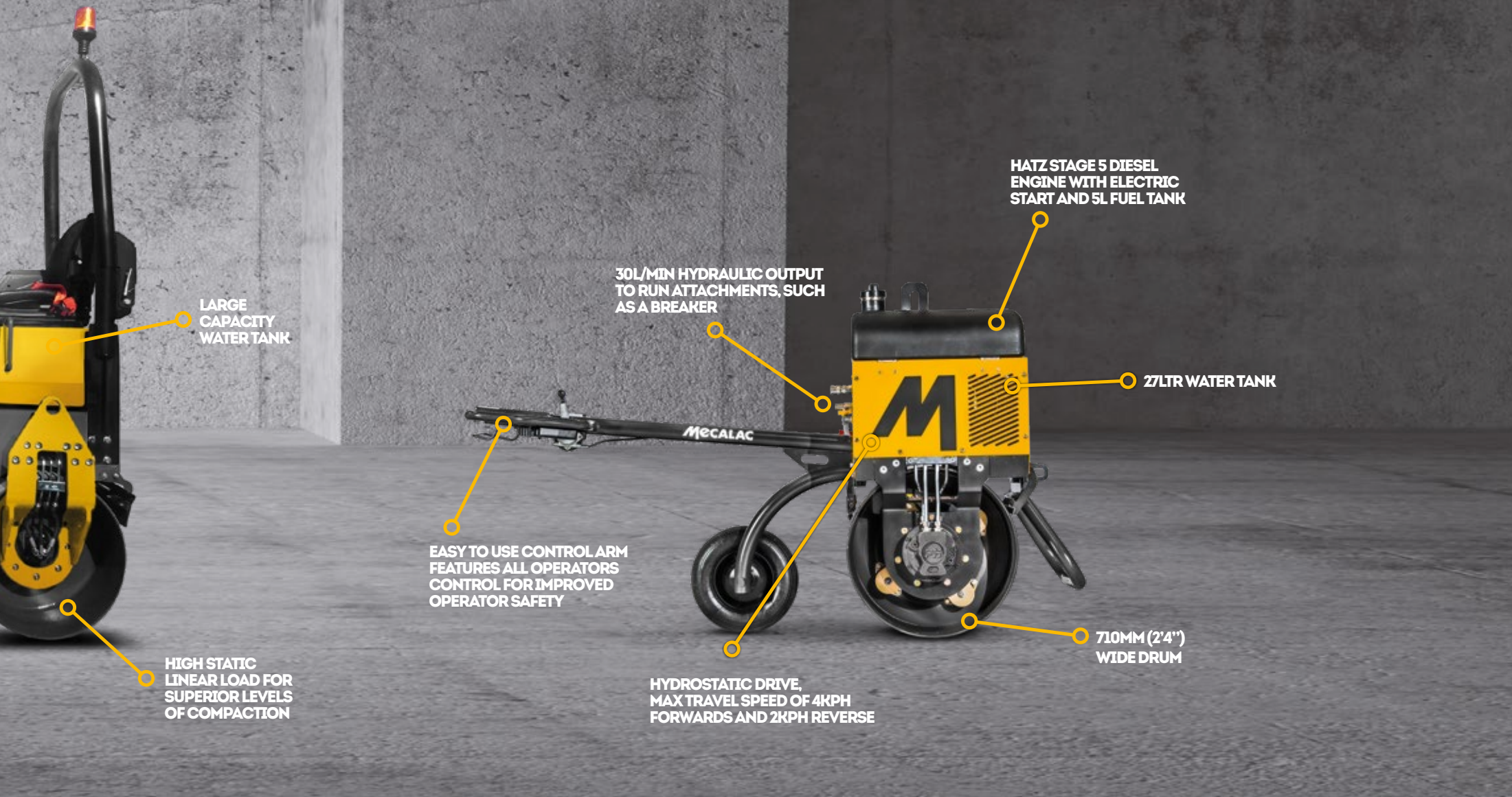
Ranging from the versatile MBR71 pedestrian roller to the productive TV1400 tandem roller (and everything in-between), there's the right machine for every application.

HIGH PERFORMANCE, FUEL EFFICIENT KUBOTA 32.8HP (24.5KW) ENGINE, REXROTH HYDROSTATIC TRANSMISSION

WRAP AROUND STEERING COLUMN FOR IMPROVED OPERATOR COMFORT

HEAVY DUTY FRONT TILTING ENGINE CANOPY PROVIDES EXCELLENT SERVICE ACCESS

EASILY SELECTABLE 1 OR 2 DRUM VIBRATION, INCLUDING DUAL FREQUENCY VIBRATION



LARGE CAPACITY WATER TANK

30L/MIN HYDRAULIC OUTPUT TO RUN ATTACHMENTS, SUCH AS A BREAKER

HATZ STAGE 5 DIESEL ENGINE WITH ELECTRIC START AND 5L FUEL TANK

27LTR WATER TANK

EASY TO USE CONTROL ARM FEATURES ALL OPERATORS CONTROL FOR IMPROVED OPERATOR SAFETY

HIGH STATIC LINEAR LOAD FOR SUPERIOR LEVELS OF COMPACTION

HYDROSTATIC DRIVE, MAX TRAVEL SPEED OF 4KPH FORWARDS AND 2KPH REVERSE

710MM (2'4") WIDE DRUM



SINGLE DRUM ROLLERS

MBR71

Designed for the compaction of asphalt materials, Mecalac pedestrian rollers provide class-leading performance in applications including highway repair, footpaths, cycle lanes, playgrounds and landscaping environments.

The proven design provides superb balance, making it easy to manoeuvre in tight spaces.

Innovative rubber couplings in the drum reduce vibration transfer for low hand-arm (HAV) levels for additional comfort. The MBR-71 is fitted with a 'hold to travel' handle so that the hydraulic drive cuts off if the control lever is released.

For added versatility the MBR71 features an all-new tow-behind trailer and hydraulic breaker combination. Inverted suspension ensures the trailer is perfect for low loading, while a new light board design ensures optimum visibility and compliance for road-tow operation.

FEATURES – SINGLE DRUM ROLLERS

- Reliable, air-cooled engine with electrical start for easy start-up
- Effective drum clearing from front and rear scraper bars
- High capacity corrosion free water system ensures drum cleanliness at all times
- Hydrostatic transmission for easy manoeuvrability
- High quality surface finish on drum for improved results on asphalt surfaces





TANDEM VIBRATING ROLLERS

Arguably some of the toughest in the world, the Mecalac range of tandem rollers are designed for the rigorous demands of the plant hire industry.

TV800

The TV800 (featuring with an 800mm [2'7"] drum) is perfect for small sites. An optional hydraulic breaker outlet provides 30L/min flow rate (Category 2), removing the need for an additional powerpack or compressor on site, further increasing versatility.

TV900

With a 900mm [2'11"] drum, high compaction productivity is achieved by the TV900's mass exciter system, which delivers high dynamic force, optimised balance between frequency and amplitude provides ultimate versatility in meeting all kinds of job site conditions. An optional hydraulic breaker outlet provides 30L/min flow rate (Category 2).

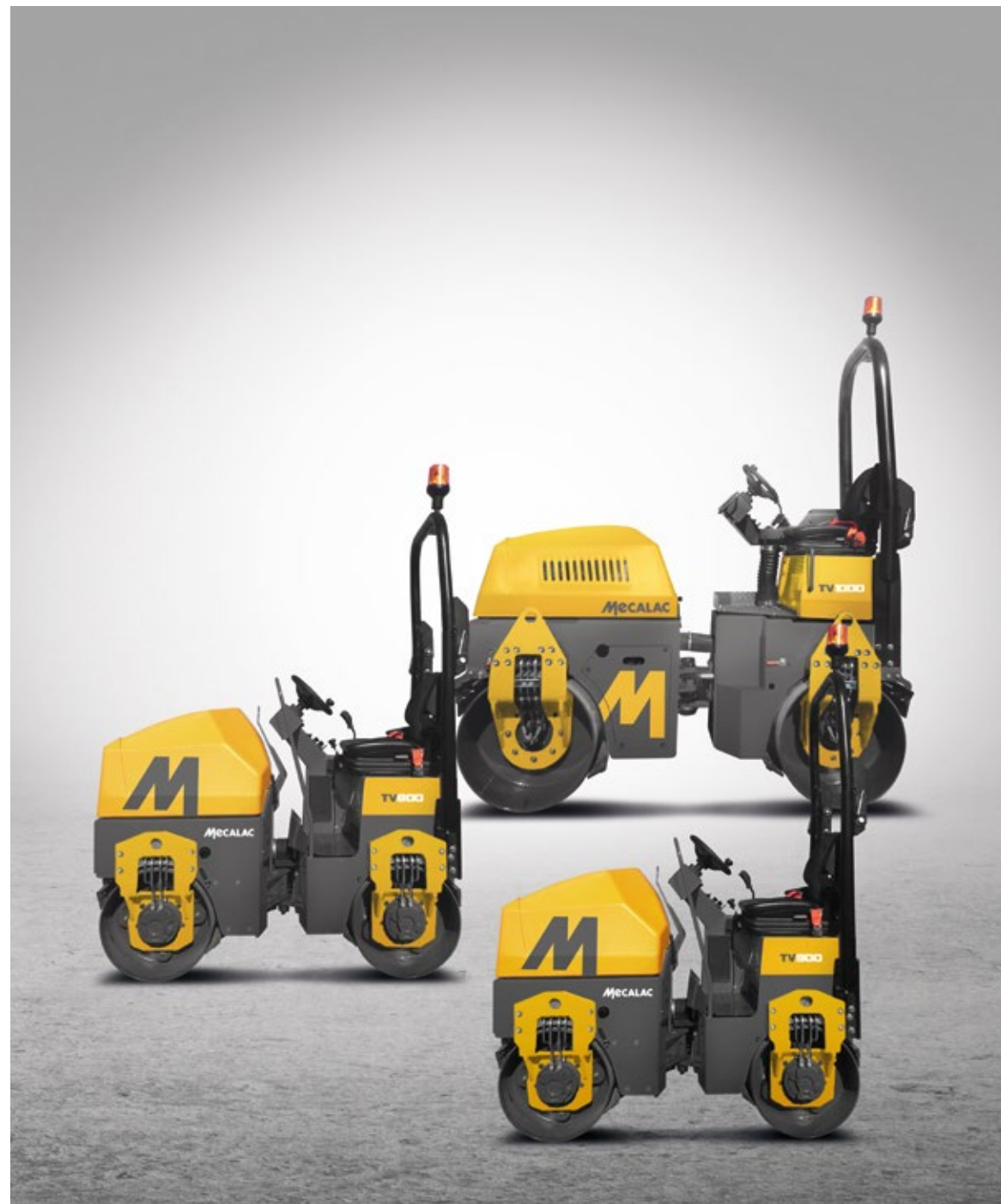
TV1000

Setting the standard for asphalt and granular layers compaction, the TV1000 is operator friendly and highly productive. Hydrostatic power management provides excellent hill-climbing ability and, when combined with superb articulation delivering a tight turning circle, are highly manoeuvrable. The TV1000 features 1000mm [3'3"] wide drums.

NOTE

METRIC MEASUREMENTS ARE THE CRITICAL VALUES
DIMENSIONS ARE TAKEN FROM T152021

- 1 Litre = 0.26417 US Liquid Gallons
- 1 Litre = 0.21997 Imperial Liquid Gallons





TANDEM VIBRATING ROLLERS

TV1200

Bringing new life to a proven classic, the TV1200 features an all-new vacuum formed bonnet, revised side arm, LED lights and a fully-refreshed livery. A water-cooled diesel engine and renowned mass exciter system completes the set-up, guaranteeing a reliable roller with outstanding performance.

TV1300 AND TV1400

With 1300mm (4'3") and 1400mm (4'7") wide drums, outstanding productivity is achieved via the powerful, well proven mass exciter system. Optimised balance between frequency and amplitude provides ultimate versatility in meeting all kinds of job site conditions.

FEATURES – TANDEM VIBRATING ROLLERS

- Rugged design to withstand plant hire industry conditions
- Water-cooled diesel engines provide excellent reliability, low noise and low emissions
- High-static linear loads reduce the number of passes
- Two frequencies provide enhanced versatility
- Optional pressure fed water sprinkler provides greater flow regulation for improved cleaning capability





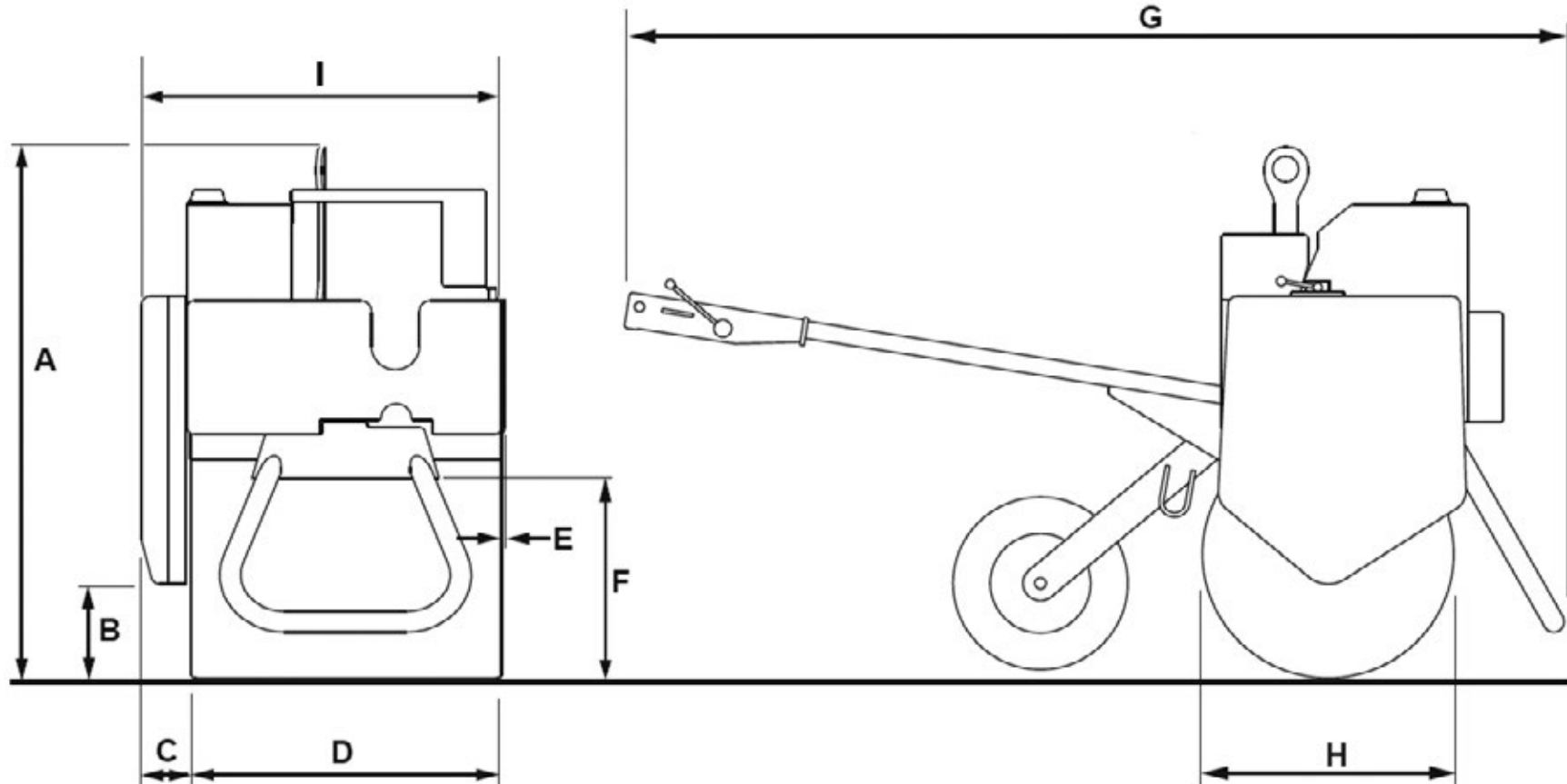
TECHNICAL SPECIFICATIONS



Compaction Roller Range	MBR-71	TV800	TV900	TV1000	TV1200	TV1300	TV1400
Operating Weight kg (lbs)	513 (1130)	1559 (3437)	1568 (3457)	2570 (5665.8)	2925 (6448.5)	3435 (7572.8)	4390 (9678.2)
Static Linear Load kg/cm (lb/in)	7.2 (40.3)	9.7 (54.3)	8.7 (48.7)	12.85 (71.9)	12.18 (68.2)	13.21 (73.9)	15.68 (87.8)
Frequency VPM	3900	2760 / 3120	2760 / 3120	2880 / 3360	2880 / 3360	2880 / 3360	2880 / 3360

→ TECHNICAL DATA PEDESTRIAN ROLLER

DIMENSIONS mm (ft in)	MBR71
A Overall Height	1225 (4')
B Curb Clearance - Farside	468 (1'6")
C Overhang - Farside	38 (1.5")
D Drum Width	710 (2'4")
E Overhang - Curbside	25 (1")
F Curb Clearance - Curbside	380 (1'3")
G Overall Length	2187 (7'2")
H Drum Diameter	Ø575 (1'11")
I Machine Width	772 (2'6")
Drum Shell Thickness (not shown)	8



PERFORMANCE	MBR71
Total Static Basic Weight kg (lbs)	496 (1093)
Operating Weight kg (lbs) CECE	511 (1126)
Static Linear Load kg/cm (lb/inch)	7.2 (40.3)
Frequency - Hz (VPM)	65 (3900)
Amplitude (mm)	0.57
Centrifugal Force kN (lbf)	15 (3372)
Gradeability - without Vibration	33%
Gradeability - with Vibration	25%

ENGINE & DRIVE	MBR71
Engine Make	Hatz
Engine Model	1B50T
Cylinders	1
Displacement cc (in ³)	517 (31.5)
Cooling	Air
Power - kW (HP) (DIN ISO 1585)	7.3 (9.8)
Operating Speed (rpm)	3000
Fuel Type	Diesel
Drive	Hydrostatic
Maximum Travel Speed (kph) - Forwards	4 (2.5)
Maximum Travel Speed (kph) - Reverse	2 (1.2)
Braking System - Service	Dynamic Hydrostatic
Braking System - Parking	Spring apply hydraulic release
Start Type	Electric

CAPACITIES	MBR71
Hydraulic Tank Capacity ltr (gallons (US))	12.5 (3.3)
Fuel Tank Capacity ltr (gallons (US))	5 (1.32)
Water Tank Capacity ltr (gallons (US))	27 (7.13)

EMISSIONS	MBR71
Noise [dB] - LwA (2000/14/EC / ISO 4871)	92dB
Engine Emissions	EPA Tier IV / Euro Stage V
Hand Arm Vibration (HAV) - (EN500-4)	3.6m/s ²

EXCITER	MBR71
Type	Single Shaft
Drive	Hydraulic Motor

WATER SPRAY SYSTEM	MBR71
System Type	Gravity Fed with Non-Corrosive Spray Bar

DRUM SCRAPER BARS	MBR71
System Type	Heavy Duty Adjustable - Front and Rear

STANDARD EQUIPMENT

Gravity Fed Water System
Drum Scraper Bars Front and Rear
Low Maintenance Battery (12V)
Emergency Release Free Wheel Valve
Heavy Duty Central Lifting Point
Battery Isolator
Emergency Stop
Front Prop Stand
Rear Jockey Wheel
Electric Starting
Hour Meter
30L/min Hydraulic Take-off Valve

OPTIONAL EQUIPMENT

Stanley BR50 Vibro-Damped Hydraulic Breaker with Tools, Valve and Hosing (light use only)
Stanley BR67 Vibro-Damped Hydraulic Breaker with Tools, Valve and Hosing (must be carried on towing vehicle)
'Towit' Tow-Behind Trailer with Storage Box, Prop-Stand, Number Plate Lighting and Road Lighting
'Towit' Tow-Behind Trailer, Longer Break-away Tether Cable with Clip on Hook

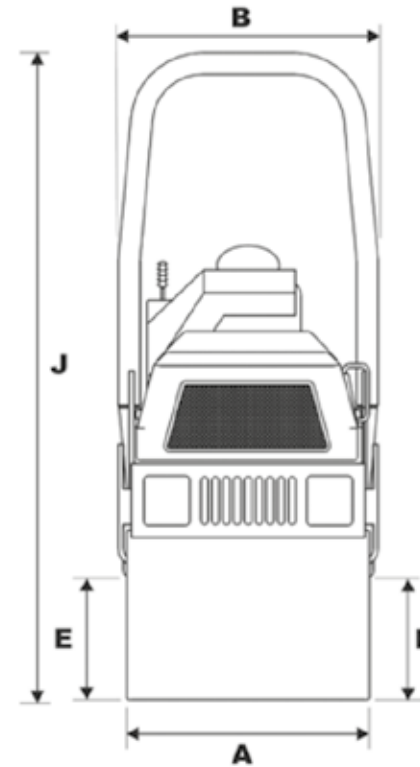
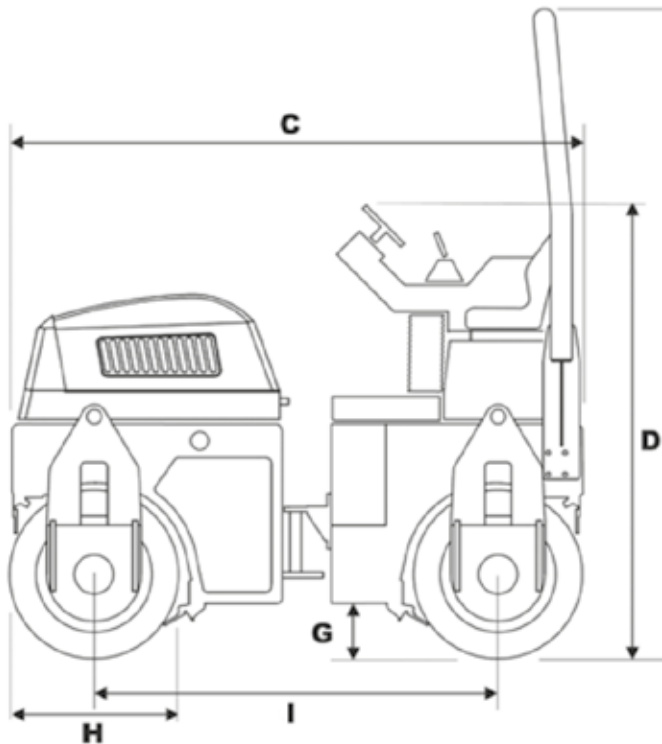
NOTE

METRIC MEASUREMENTS ARE THE CRITICAL VALUES
DIMENSIONS ARE TAKEN FROM T152021

- 1 Litre = 0.26417 US Liquid Gallons
- 1 Litre = 0.21997 Imperial Liquid Gallons

→ TECHNICAL DATA COMPACT TANDEM ROLLERS

DIMENSIONS mm (ft in)	TV800	TV900	TV1000	TV1200	TV1300	TV1400
A Drum Width	800 (2'7")	900 (2'11")	1000 (3'3")	1200 (3'11")	1300 (4'3")	1400 (4'7")
B Overall Width	870 (2'10")	970 (3'2")	1070 (3'6")	1270 (4'2")	1370 (4'6")	1470 (4'10")
C Overall Length	1860 (6'1")	1860 (6'1")	2375 (7'10")	2375 (7'10")	2375 (7'10")	2375 (7'10")
D Height to Top of Steering Wheel (Transport Height)	1530 (5')	1530 (5')	1940 (6'4")	1940 (6'4")	1940 (6'4")	1945 (6'4")
E Curb Clearance - Right	420 (1'5")	420 (1'5")	555 (1'10")	555 (1'10")	555 (1'10")	555 (1'10")
F Curb Clearance - Left	390 (1'3")	390 (1'3")	490 (1'7")	490 (1'7")	490 (1'7")	490 (1'7")
G Ground Clearance	200 (8")	200 (8")	230 (9")	230 (9")	230 (9")	230 (9")
H Drum Diameter	Ø550 (1'10")	Ø550 (1'10")	Ø700 (2'4")	Ø700 (2'4")	Ø700 (2'4")	706 (2'4")
I Wheelbase	1260 (4'2")	1260 (4'2")	1675 (5'6")	1675 (5'6")	1675 (5'6")	1675 (5'6")
J Height to Top of ROPS frame	2400 (7'10")	2400 (7'10")	2650 (8'8")	2650 (8'8")	2650 (8'8")	2655 (8'8")
Overhang - Left / Right	35/35 (1.3"/1.3")	35/35 (1.3"/1.3")	35/35 (1.3"/1.3")	35/35 (1.3"/1.3")	35/35 (1.3"/1.3")	35/35 (1.3"/1.3")



PERFORMANCE	TV800	TV900	TV1000	TV1200	TV1300	TV1400
Total Static Basic Weight kg (lbs)	1446 (3188)	1455 (3208)	2385 (5258)	2740 (6040.6)	3240 (7142.9)	4175 (9204.2)
Operating Weight kg (lbs) CECE	1559 (3437)	1568 (3457)	2570 (5665.8)	2925 (6448.5)	3435 (7572.8)	4390 (9678.2)
Static Linear Load kg/cm (lb/inch)	9.7 (54.3)	8.7 (48.7)	12.85 (71.9)	12.18 (68.2)	13.21 (73.9)	15.68 (87.8)
Frequency - Hz (VPM)	46/52 (2760/3120)		49/63 (2940/3780)		48/56 (2880/3360)	
Amplitude (mm)	0.5	0.5	0.5	0.6	0.5	0.5
Centrifugal Force kN (lbf)	10/12.5 (2248/2810)	10/12.5 (2248/2810)	18/29 (4046/6519)	24/38 (5395/8542)	27/37 (6070/8318)	45/61 (10116/13713)
Gradeability - without Vibration	30%	30%	30%	30%	30%	30%
Gradeability - with Vibration	40%	40%	40%	40%	40%	40%
Drum Shell Thickness mm (ft in)	10 (0.3")	10 (0.3")	10 (0.3")	10 (0.3")	10 (0.3")	10 (0.3")
Drum Finish	Machine Chamfered Edges					
Vibrating Drums	Front and Rear or Rear Only (selectable)					
ENGINE & DRIVE	TV800	TV900	TV1000	TV1200	TV1300	TV1400
Engine Make	Kubota	Kubota	Kubota	Kubota	Kubota	Kubota
Engine Model	D1005	D1005	D1703-M	D1703-M	V2203-M	V2203-M
Cylinders	3	3	3	3	4	4
Displacement cc (in ³)	1001 (61.08)	1001 (61.08)	1647 (100.5)	1647 (100.5)	2197 (134)	2197 (134)
Cooling	Water	Water	Water	Water	Water	Water
Power - kW (HP)	17.5 (23)	17.5 (23)	18.5 (25)	18.5 (25)	32.4 (43.4)	32.4 (43.4)
Operating Speed (rpm)	2500/3000	2500/3000	2300/2800	2300/2800	2300/2800	2300/2800
Fuel Type	Diesel	Diesel	Diesel	Diesel	Diesel	Diesel
Engine Emissions	EPA Tier IV / Euro Stage V			EPA Tier III / Euro Stage IIIA		
Drive (both drums)	Hydrostatic	Hydrostatic	Hydrostatic	Hydrostatic	Hydrostatic	Hydrostatic
Travel Speed kph (mph)	8 (4.9)	8 (4.9)	8 (4.9)	10 (6.2)	10 (6.2)	10 (6.2)
Braking System - Service	Dynamic Hydrostatic (via propulsion system)					
Braking System - Parking	Spring Apply / Hydraulic Release on both drums					
WATERING SYSTEM	TV800	TV900	TV1000	TV1200	TV1300	TV1400
Tank Capacity ltr (gallons (US))	86 (22.7)	86 (22.7)	180 (47.5)	180 (47.5)	200 (52.8)	200 (52.8)
Spray Modes	Gravity / Pressure			Pressure		
ELECTRICAL SYSTEM	TV800	TV900	TV1000	TV1200	TV1300	TV1400
Battery (volts)	12V DC	12V DC	12V DC	12V DC	12V DC	12V DC
Alternator (amp)	30	30	55	55	55	55
LUBRICATION SYSTEM	TV800	TV900	TV1000	TV1200	TV1300	TV1400
Type	Grease - open loop, parallel circuit with centralised greasing points					
EMISSIONS	TV800	TV900	TV1000	TV1200	TV1300	TV1400
Engine	Euro Stage IIIA					
Noise (dBA)	106	106	106	106	106	106
CAPACITIES	TV800	TV900	TV1000	TV1200	TV1300	TV1400
Hydraulic Tank Capacity ltr (gallons (US))	28 (7.4)	28 (7.4)	44 (11.6)	44 (11.6)	44 (11.6)	44 (11.6)
Fuel Tank Capacity ltr (gallons (US))	18 (4.7)	18 (4.7)	44 (11.6)	44 (11.6)	44 (11.6)	44 (11.6)
Water Tank Capacity ltr (gallons (US))	86 (22.7)	86 (22.7)	180 (47.5)	180 (47.5)	200 (52.8)	200 (52.8)
STEERING	TV800	TV900	TV1000	TV1200	TV1300	TV1400
Steering Type	Centrepoint Articulation - Double acting (via single hydraulic ram)					
Inside Turn Radius mm (ft in)	1950 (6'5")	1900 (6'3")	2625 (8'7")	2525 (8'3")	2475 (8'1")	2425 (7'11")
Outside Turn Radius mm (ft in)	2820 (9'3")	2870 (9'5")	3695 (12'1")	3795 (12'5")	3845 (12'7")	3895 (12'9")
Frame Articulation (degrees)	30	30	30	30	30	30
Frame Oscillation (degrees)	8	8	15	15	15	15

STANDARD EQUIPMENT

Fixed ROPS Frame
Integral Lifting Points
Amber Beacon
Fuel and Hydraulic Oil Tanks Level Gauges (TV1000 to TV1400)
Road Lights - UK Road Traffic Act Compliant (TV1300 and TV1400 only)
Vandal Protection Package - Lockable Instrument Cover to Deter Vandals / Thieves
Site Lights (Dependent on Region)
Centralised Greasing Points for Easy Servicing
Gravity Fed Water System (TV800 to TV1200H only)
Vibration Insulated Operator's Station
Pressurised Water System (TV1300 and TV1400 only)
Deluxe Operator's Seat with Lap Belt and Traction Cut-out Switch - Automatic Stop if Operator Stands Up During Operation
Drum Scraper Bars Front and Rear (both drums)
Articulation Lock Bar
Sliding Operator Seat (TV1200H to TV1400)
Removable Plastic Water and Oil Tanks for Easy Servicing
Fault Finding Lights on Instrument Panel
Low Maintenance Battery
Steering Knob
Single Piece Tilting Engine Hood
6 in 1 Control Lever
Emergency Release Free Wheel Valve (for towing)
Hour Meter

OPTIONAL EQUIPMENT

Folding ROPS Frame
Audible Reversing Alarm
Road Lights - UK Road Traffic Act Compliant (TV800 to TV1200H)
Sun Canopy (TV1000 to TV1400 only)
Pressurised Water Spray (TV800 to TV1200H)
Hydraulic Breaker Attachment, Tool, Valve and Hosing - 30L/min (TV800 to TV900)

NOTE

METRIC MEASUREMENTS ARE THE CRITICAL VALUES
DIMENSIONS ARE TAKEN FROM T152021

- 1 Litre = 0.26417 US Liquid Gallons
- 1 Litre = 0.21997 Imperial Liquid Gallons

MECALAC FRANCE S.A.S.
2, avenue du Pré de Challes
Parc des Glaisins – CS 40230
Annecy-le-Vieux
FR - 74942 Annecy Cedex
Tel. +33 (0)4 50 64 01 63

**MECALAC BAUMASCHINEN
GMBH**
Am Friedrichsbrunnen
D-24782 Büdelsdorf
Tel. +49 (0)43 31/3 51-319

**MECALAC CONSTRUCTION
EQUIPMENT UK LTD**
Central Boulevard,
ProLogis Park
Coventry, CV6 4BX, UK
Tél. +44 (0)24 7633 9539

**MECALAC İŞ MAKİNELERİ
SAN VE TIC. LTD. ŞTİ.**
Ege Serbest Bölgesi Nilüfer 1 Sok. No: 34
35410, Gaziemir
İzmir - Türkiye
Tel. +90 232 220 11 15



WWW.MECALAC.COM